

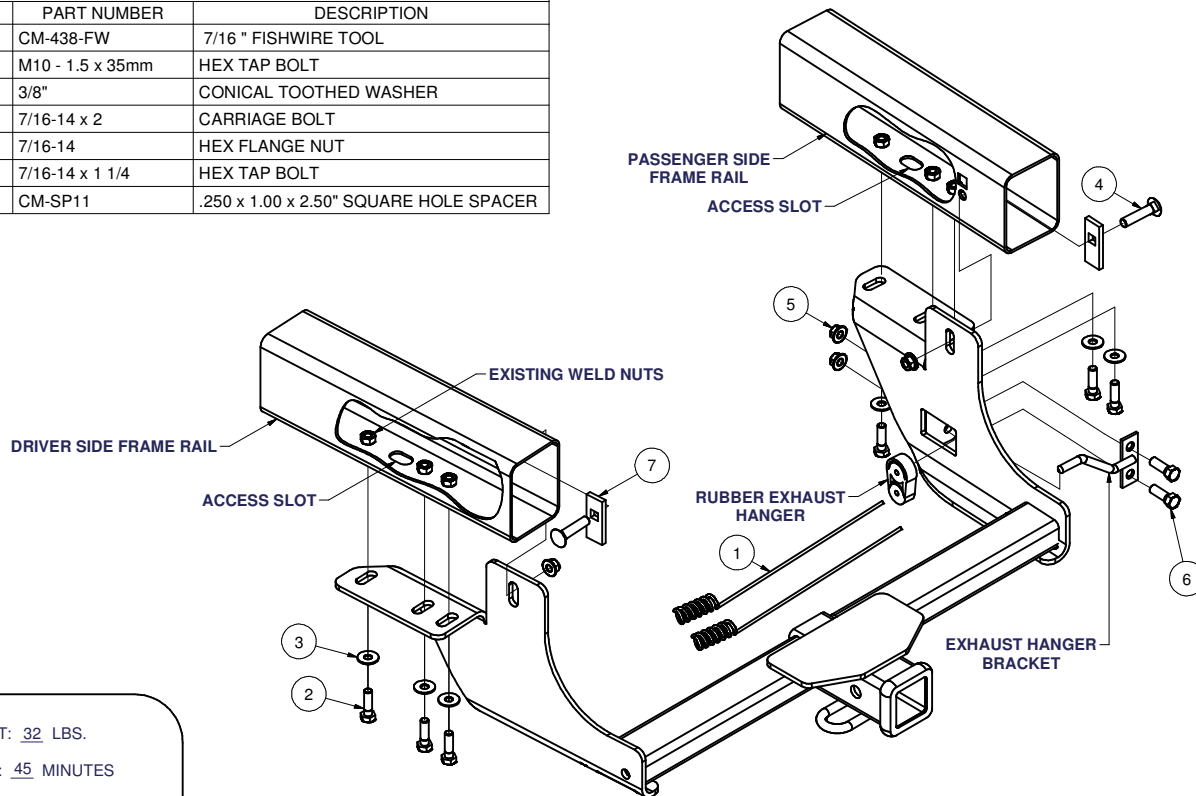
13336 / 78227

05-07 BUICK TERRAZA / 05-08 CHEVROLET UPLANDER / 09-CURRENT CHEVROLET UPLANDER / 05-07 PONTIAC MONTANA SV6 / 08-CURRENT PONTIAC MONTANA SV6 (CANADA ONLY) / 05-07 SATURN RELAY

9/10/2012

GROSS LOAD CAPACITY WHEN USED AS A WEIGHT CARRYING HITCH: 4000 LBS. TRAILER WEIGHT & 400 LBS. TONGUE WEIGHT.
GROSS LOAD CAPACITY WHEN USED AS A WEIGHT DISTRIBUTION HITCH: 6000 LBS. TRAILER WEIGHT & 600 LBS. TONGUE WEIGHT*****DO NOT EXCEED VEHICLE MANUFACTURER'S RECOMMENDED TOWING CAPACITY.*****

Parts List				
ITEM	QTY	PART NUMBER	DESCRIPTION	
1	2	CM-438-FW	7/16" FISHWIRE TOOL	
2	6	M10 - 1.5 x 35mm	HEX TAP BOLT	
3	6	3/8"	CONICAL TOOTHED WASHER	
4	2	7/16-14 x 2	CARRIAGE BOLT	
5	4	7/16-14	HEX FLANGE NUT	
6	2	7/16-14 x 1 1/4	HEX TAP BOLT	
7	2	CM-SP11	.250 x 1.00 x 2.50" SQUARE HOLE SPACER	

HITCH WEIGHT: 32 LBS.INSTALL TIME: 45 MINUTES

INSTALL NOTES:

- NO DRILLING REQUIRED
- LOWER EXHAUST HANGER BRACKET
- REMOVE FASCIA SUPPORT BAR

NOTE: FRAME DRILLING MAY BE REQUIRED ON OLDER MONTANA VANS

INSTALLATION STEPS

- 1) Remove rubber exhaust hanger and lower exhaust hanger bracket on passenger side. **(Reuse later)**
- 2) Remove fascia support bar from frame rails on driver and passenger side. **(Replace after install)**
- 3) Disconnect and lower compressor from driver side if equipped. **(Replace after install)**
- 4) Fishwire 7/16" carriage bolts and spacers through access slots in frame rails leaving carriage bolt and spacer inside frame rail until hitch is raised into position. **(Note: Do not remove fishwire from carriage bolt until hitch is raised into position and secured.)**
- 5) Lift hitch into position and secure with M10 bolts and 3/8" conical washers as shown, finger tighten. Finish fishwiring 7/16" carriage bolts and spacers into position and secure with flange nuts.
- 6) Reattach exhaust hanger bracket removed in step (1). **(Note: some models will require the exhaust hanger bracket to pass through hitch side plate and attach to hitch mounting tab using 7/16" bolts and flange nuts as shown.)**
- 7) Reattach fascia support brackets removed in step (2) and compressor in step (3). **(Note: trim compressor bracket before reinstalling on vehicle.)**
- 8) Torque all 7/16" fasteners to 70 ft-lb and all 10mm fasteners to 45 ft-lb.

PERIODICALLY CHECK THIS RECEIVER HITCH TO ENSURE THAT ALL FASTENERS ARE TIGHT AND THAT ALL STRUCTURAL COMPONENTS ARE SOUND.

Curt Manufacturing Inc., warrants this product to be free of defects in material and/or workmanship at the time of retail purchase by the original purchaser. If the product is found to be defective, Curt Manufacturing Inc., may repair or replace the product, at their option, when the product is returned, prepaid, with proof of purchase. Alteration to, misuse of, or improper installation of this product voids the warranty. Curt Manufacturing Inc.'s liability is limited to repair or replacement of products found to be defective, and specifically excludes liability for incidental or consequential loss or damage.